

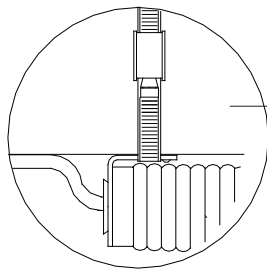
# TRANBERG CABLE PROTECTION

## TEF 7000 059 CONDUIT TERMINATOR

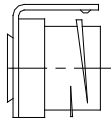
### FOR MOUNTING ON PIPES

## HEAT TRACE ACCESSORIES

Conduit terminator for flexible conduit



Illustration



700A7769

### APPLICATION

- For flexible conduit with:  
Inner diameter: 18,8mm  
Outer diameter 22,3mm

### FEATURES AND BENEFITS

- Protecting cable from sharp edges in end of Tranberg flexible conduit
- Easy to strap onto pipe

### TECHNICAL DATA

**Material:** Brass,  
Acid proof stainless steel

### APPROVALS AND CERTIFICATES

NA

*Subject to change without prior notice*

**TRANBERG**<sup>®</sup>

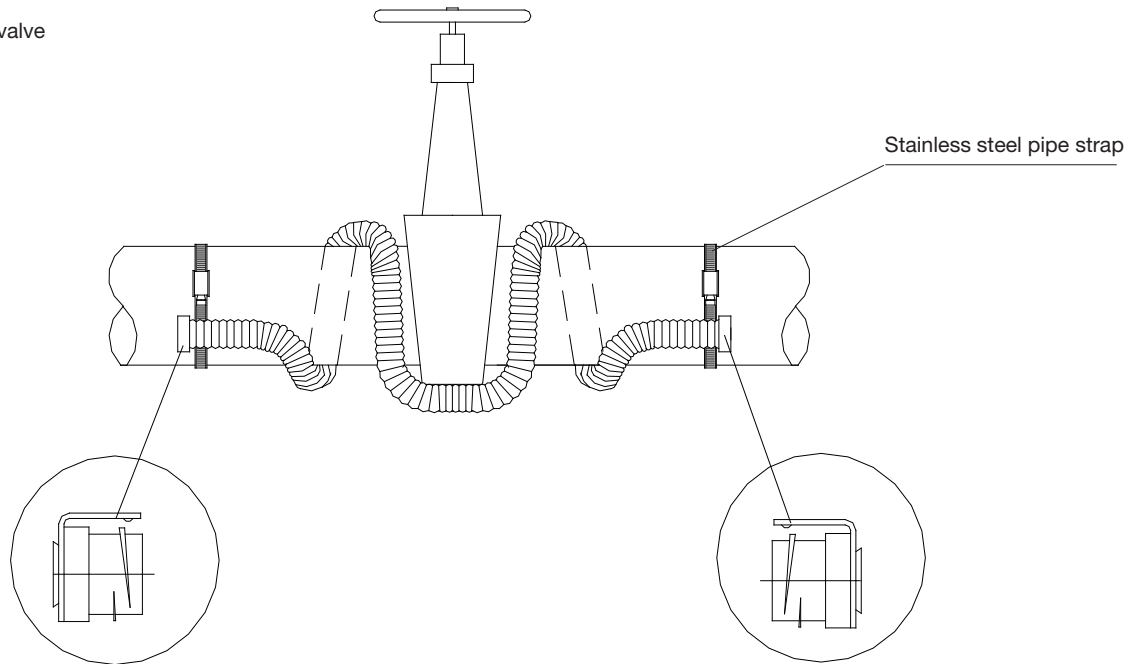
# TEF 7000 059 CONDUIT TERMINATOR

## DESCRIPTION

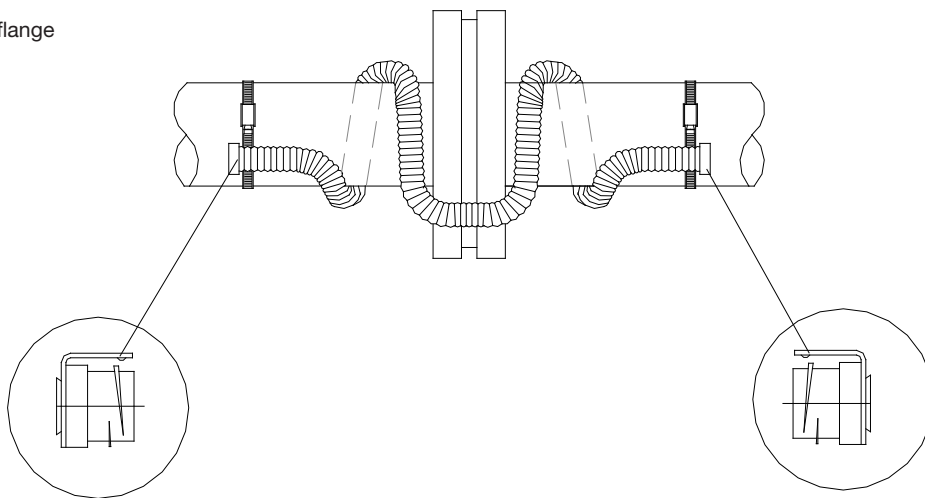
	Weight	Part No.
1 pc. Conduit terminator for pipe mounting	0,106 kg.	7000 059

## ILLUSTRATIONS

Flexible conduit across valve



Flexible conduit across flange



**TRANBERG®**